

MODEL NUMBER

08-101-08

W

indsor Lever

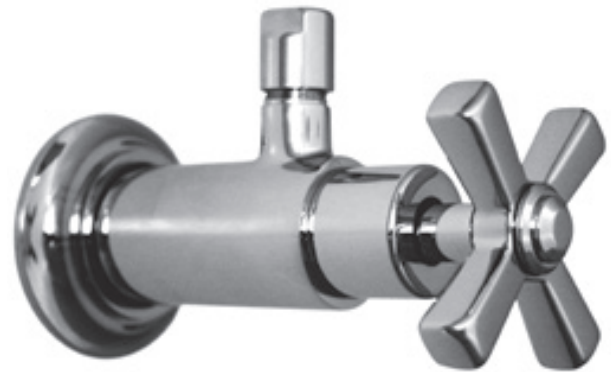
ITEM:

Lavatory/toilet supply valve, riser tube included.

08-101-08

FINISH:

014 Polished Nickel
015 Statin Nickel
026 Polished Chrome
GP1 Special Finish
GP2 Special Finish



TECHNICAL:

