

PRODUCT INFORMATION

Bathrooms

Oban Basin Stand

| Date | Created By | Approved By | Approval Date |
|---------------------------|------------|-------------|---------------|
| 2 nd Jan 2013 | OD | | |
| 9 th Jan 2013 | OD | | |
| 22 nd Mar 2013 | OD | | |
| 26 th Mar 2013 | OD | | |



Features and Benefits

- High quality Brass with a beautiful chrome finish
- Stocked product so always readily available

FAQ's

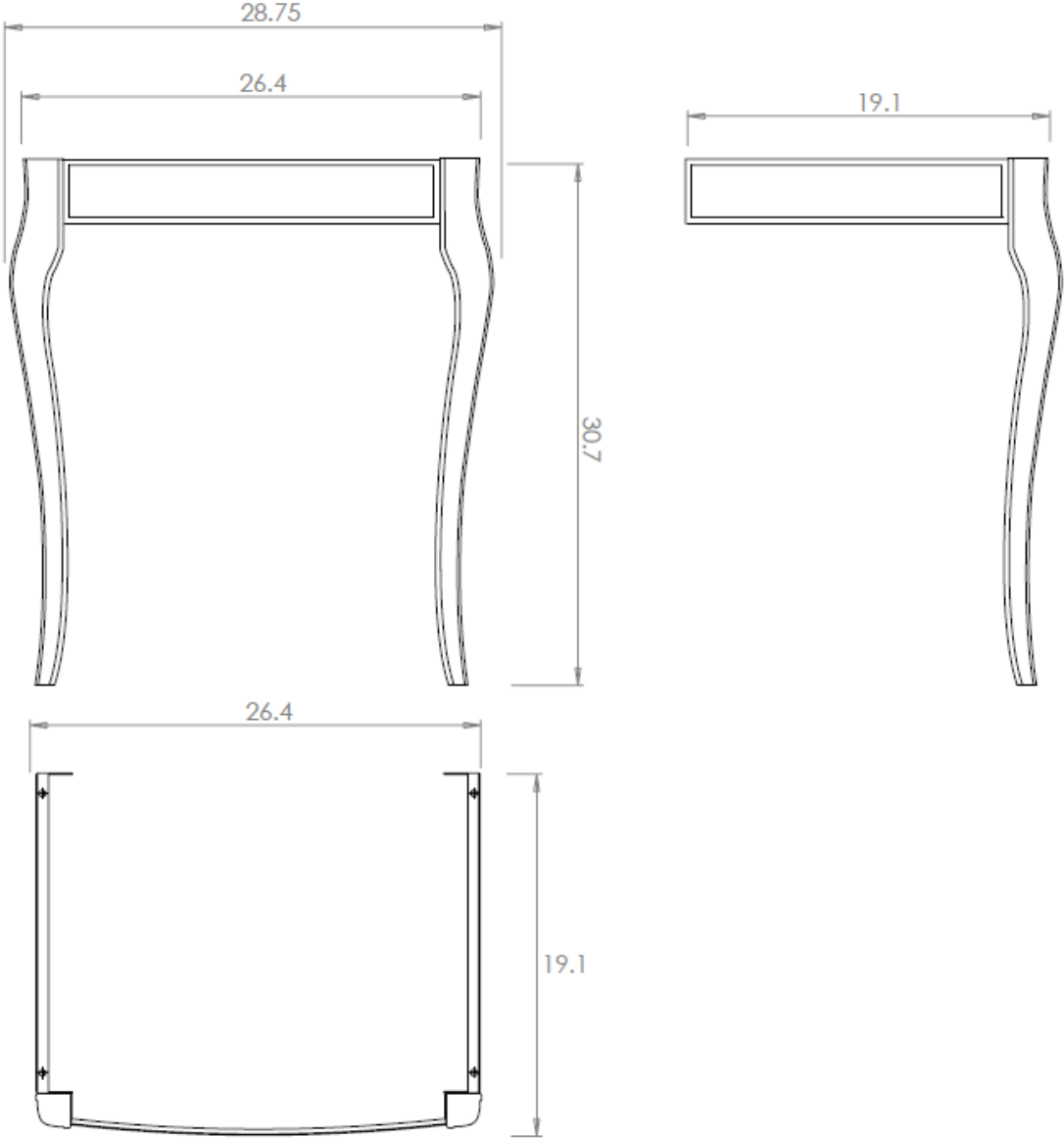
- (Q) Will this stand fit other basins?
- (A) No, it is specifically designed for the Radcliffe Vanity basin. Other basins have their own stand options.
- (Q) Is it simple to install?
- (A) Yes but we always suggest that a professional installer is used.
- (Q) Is it heated?
- (A) No.

PRODUCT INFORMATION

Bathrooms

Oban Basin Stand

Dimensional Drawing

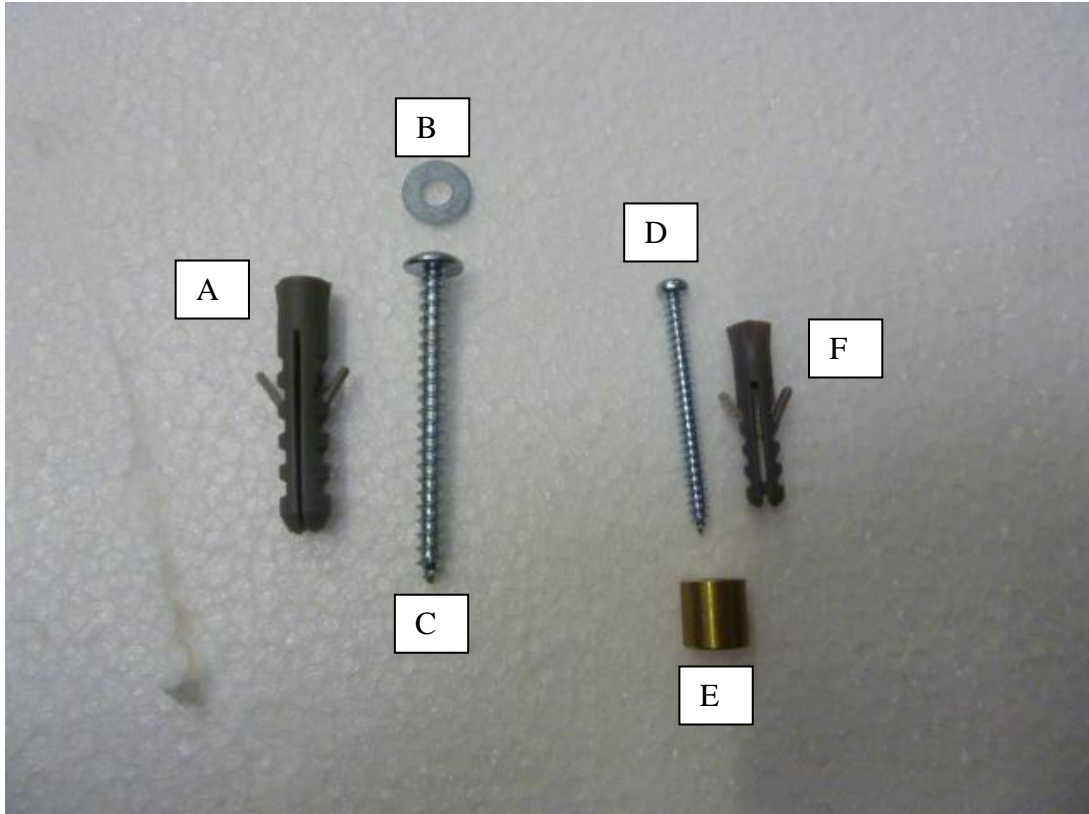


PRODUCT INFORMATION

Bathrooms

Oban Basin Stand

Pack Contents



| <u>Item</u> | <u>Description</u> | <u>Qty</u> |
|-------------|--------------------|------------|
| A | Wall Plug | 4 |
| B | Washer | 4 |
| C | Wall Screw | 4 |
| D | Floor Screw | 2 |
| E | Floor Pegs | 2 |
| F | Floor Plugs | 2 |

PRODUCT INFORMATION

Bathrooms

Oban Basin Stand

INSTRUCT86
REV130201 C/OD

Harrington *Yorkshire*

General Installation Instructions for Oban, Adare & Troon Basin Stands



Important Information:
Please check the products for transport damage and that contents are complete before installation.
Consult a qualified plumber if you have any problems installing this product.
Complaints made following installation regarding the above cannot be accepted.

PRODUCT INFORMATION

Bathrooms

Oban Basin Stand

Installation Guide - Introduction

Thank you for purchasing this product. These instructions relate to the following products.



Adare/Nevis - Basin Stand



Oban - Basin Stand



Troon - Basin Stand

⚠ Before you start: Check you have the necessary tools for the installation. It is advisable to prepare a clear area to assemble the products. Lay a soft blanket or sheet to protect the metal finish from scratches.

Tools Required



Hand Held Drill



Safety Goggles



Spirit Level



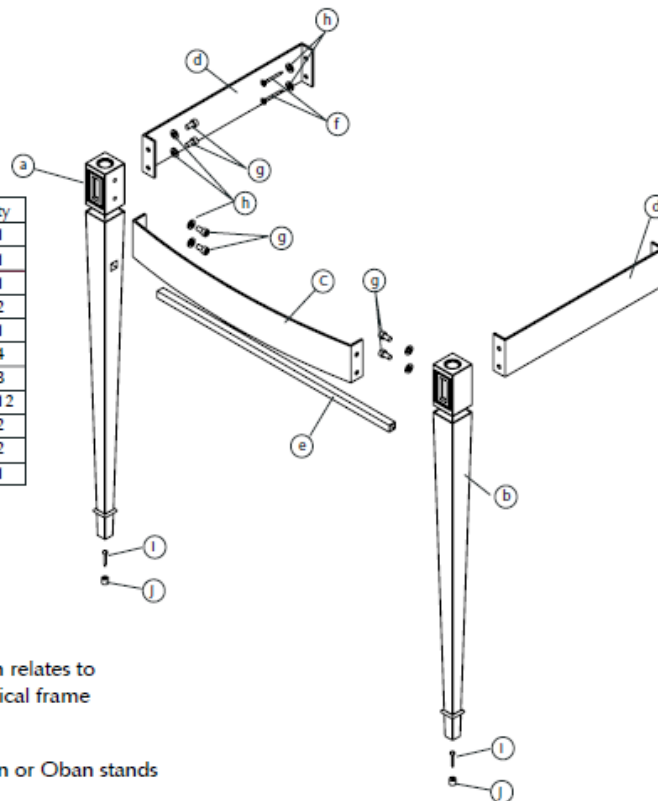
Tape Measure



Pencil

Assembly Instructions

| Ref | Part | Qty |
|-----|---------------------|-----|
| a | Assembled Left Leg | x1 |
| b | Assembled Right Leg | x1 |
| c | Front Trim | x1 |
| d | Side Trim | x2 |
| e | Towel Rail** | x1 |
| f | Wall Screws | x4 |
| g | Hex Head Screws | x8 |
| h | Washers | x12 |
| i | Floor Screw | x2 |
| j | Floor Peg | x2 |
| N/a | Hexagonal Key Tool | x1 |



* Please Note: The illustration shown relates to the Adare/Nevis stands, however typical frame assembly is common across stands

** Towel rail is not available on Troon or Oban stands

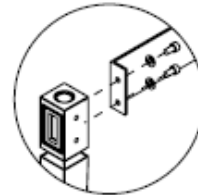
PRODUCT INFORMATION

Bathrooms

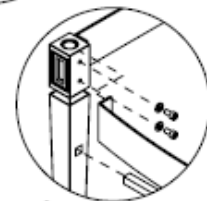
Oban Basin Stand

Assembly Instructions **Harrington**

1: Fix Assembled Left Leg (a) to Side Trim (d) using Hex Head Screws (f) and Washers (h). Ensure that the top surface of the side trim is level with the top surface of the leg. Repeat this procedure for the Right Leg 2: Position Front Trim (c) to the Left Leg (a) and fix into place with Hex Head Screws (f) and Washers (h).

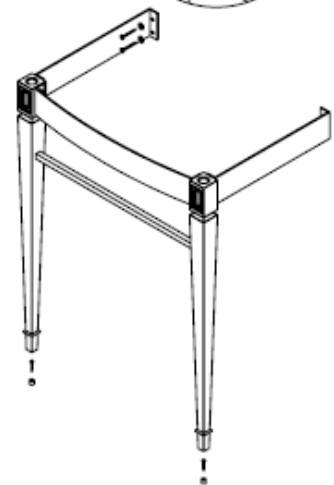


3: Place towel rail into position (NOTE: for Troon/Oban stands ignore this step).



4: Move the Right Leg (b) into position and fix to the Front Trim (c) with Hex Head Screws (f) and Washers (h).

5: Rough in water and drain lines.

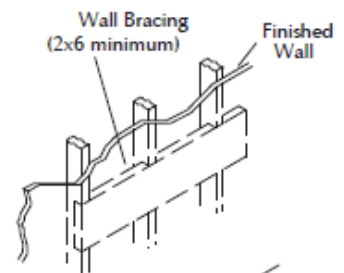


6: If the installation wall is not of solid material install a wall brace of minimum 2x6" and of equal length as the fixings and finish the wall accordingly.

7: Position the assembled stand in the required position against the wall to which it is to be attached.

8: Ensure that the legs are standing fully upright and perpendicular to the floor. Also ensure that the side trims are sitting square and true to the wall.

9: Mark the wall where the screw holes will need to be drilled. Mark the floor around the foot of the unit.



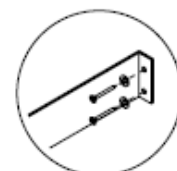
CAUTION: Before carrying out the following steps ensure there is no hidden pipework or cables in the area that you intend to drill. Always ensure that you take the necessary safety precautions.



NOTE: It may be wise at this stage to double check that the holes and markings for fixing are correct. Ensure that the stand will stand square and true to the wall and floor. Fixings supplied are intended for solid wall installations. If necessary substitute suitable fittings accordingly.



10: Remove the stand from the wall and drill appropriate sized holes for the insertion of screw plugs. Insert plugs into wall.



PRODUCT INFORMATION

Bathrooms



Oban Basin Stand

Assembly Instructions

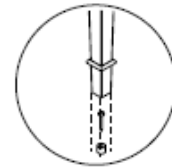
Harrington

11: If necessary drill pilot holes into the floor where the location of the floor pegs will be.

12: Position the floor pegs carefully and screw them into position.

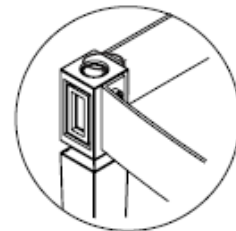
 **CAUTION: Affixing the floor pegs is a critical measure in ensuring the safe and proper installation of this product. This is a safety measure and must be carried out in order to maintain the structural integrity of the stand.** 

13: Locate the stand onto the floor pegs and align the holes in the side trim with the plugs in the wall. Using the screws and washers fix the stand into position.



14: Carefully lower the basin into location and check that the product sits level. Fine adjustments can be made by rotating the Adjustor Caps.

Once you are fully happy with the fit of the basin on the stand run a bead of silicon along the back face of the basin and ensure contact with the wall is made. At this stage please complete the necessary plumbing in of faucets and waste fittings.



Care and Cleaning

Basin stands are produced by hand and slight imperfections on the surface detail are normal due to the material and the manufacturing process.

Plated finishes should be cleaned with warm soapy water and dried with a soft cloth. Under no circumstances should bleach or abrasive cleaning products, polishes, or detergent be used on plated surfaces and in particular should these materials be used on plated items it is possible that the surface will be damaged.

Harrington
Yorkshire

PRODUCT INFORMATION

Bathrooms

Oban Basin Stand

Warehouse Description

Packaging

Gross Weight: 19 Kg (41.9 lbs)

No of boxes per product code: 1

Dimensions of outers: 44.5" x 17.75" x 7.10"

How many inners per outer: 2

Dimensions of inner: 38.1" x 9.85" x 7" and 6.7" x 6.7" x 23.65"

Agreed packaging standard: 0.2" Double corrugated cardboard, white with Harrington label

Label specification: TBC

Label tbc