

PRODUCT INFORMATION

Bathrooms

Astoria Deco Basin Stand

Date	Created By	Approved By	Approval Date
2 nd Jan 2013	OD		
9 th Jan 2013	OD		
22 nd Mar 2013	OD		



Features and Benefits

- High quality Brass with a beautiful chrome finish
- Elegant alternative to pedestal option
-

FAQ's

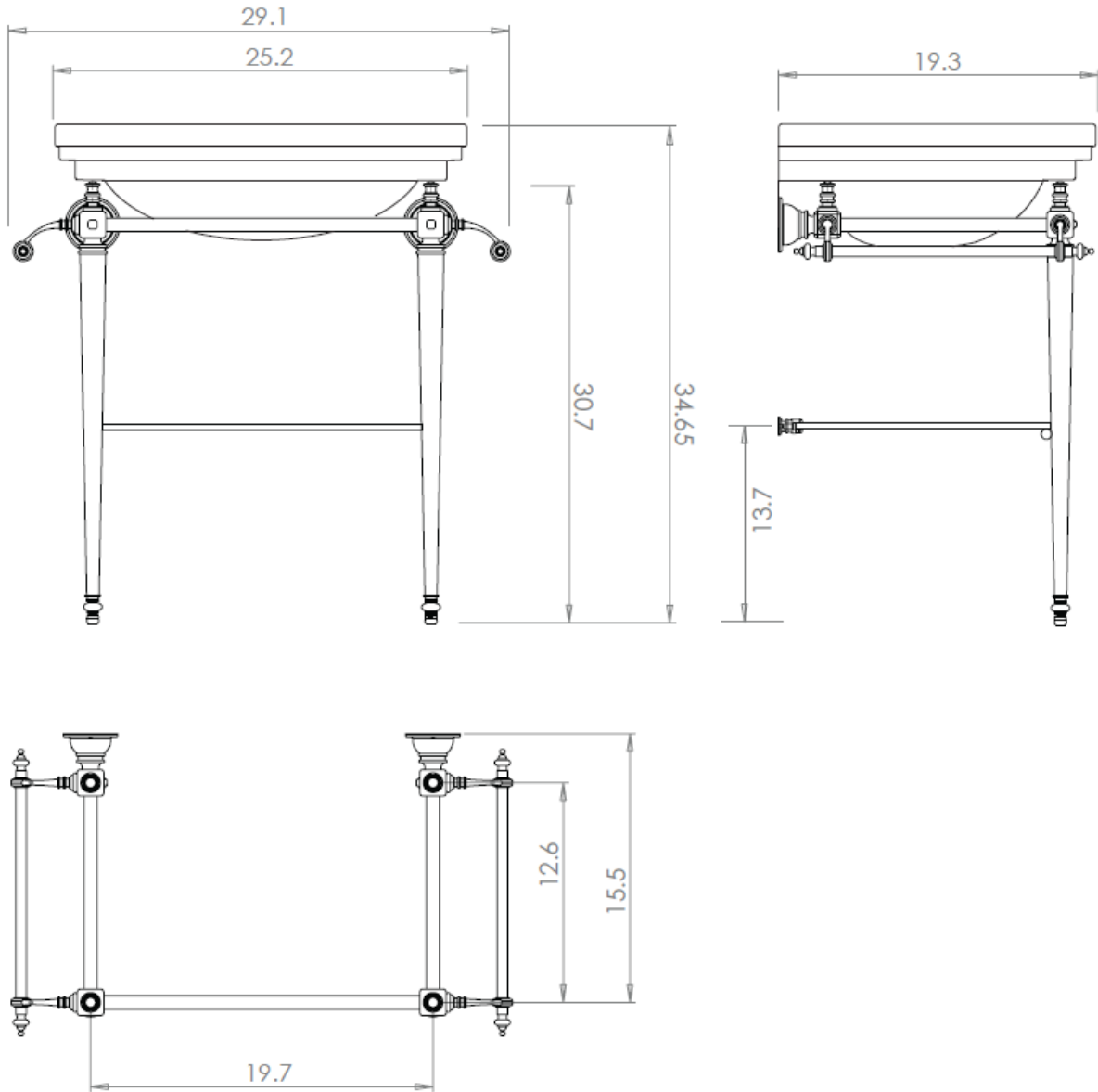
- (Q) Will this stand fit other basins?
- (A) No, it is specifically designed for the Astoria Deco Basin. Other basins have their own stand options.
- (Q) Is it simple to install?
- (A) Yes but we always suggest that a professional installer is used.
- (Q) Is it heated?
- (A) No.

PRODUCT INFORMATION

Bathrooms

Astoria Deco Basin Stand

Dimensional Drawing

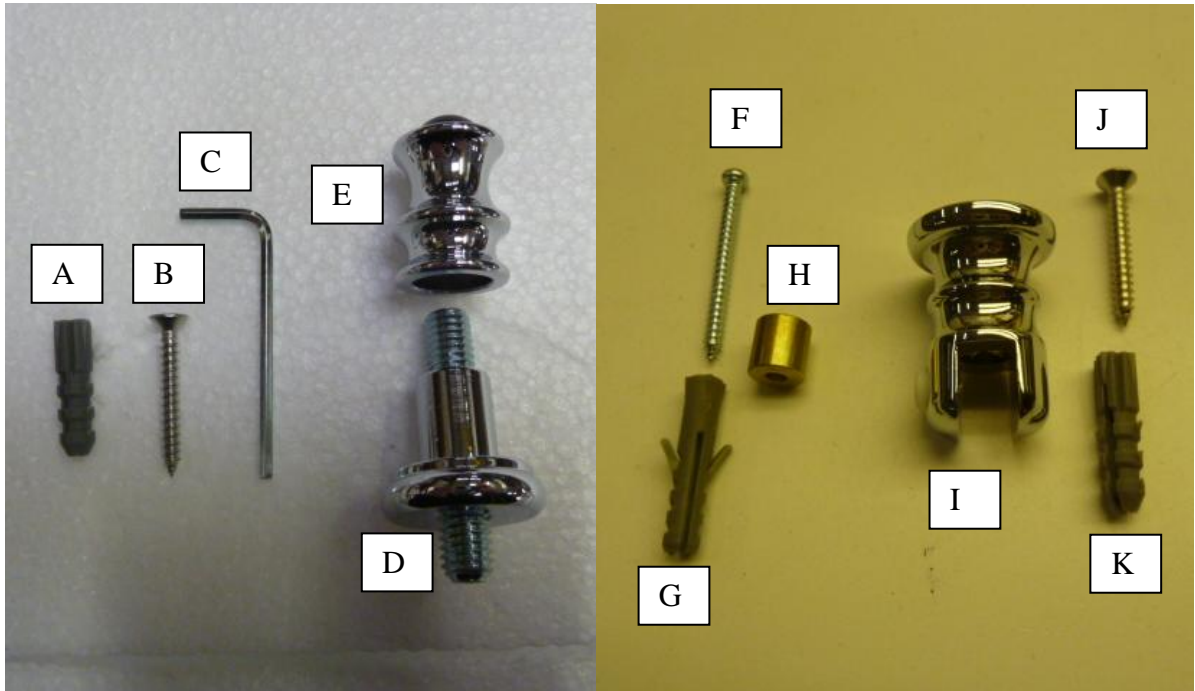


PRODUCT INFORMATION

Bathrooms

Astoria Deco Basin Stand

Pack Contents



<u>Item</u>	<u>Description</u>	<u>Qty</u>
A	Wall Plug (top frame)	4
B	Wall Screw (top frame)	4
C	Hex Key	1
D	Adjustor Base	2
E	Adjustor	2
F	Floor Screw	2
G	Floor Plug	2
H	Floor Peg	2
I	Shelf Stud	2
J	Shelf screw	2
K	Shelf Plug	2

PRODUCT INFORMATION

Bathrooms

Astoria Deco Basin Stand

INSTRUCT85
REV21005 A/00

Harrington
Yorkshire

Installation Instructions for Basin Stands



Important Information:

Please check the products for transport damage and that contents are complete before installation.

Consult a qualified plumber if you have any problems installing this product.

Complaints made following installation regarding the above cannot be accepted.

PRODUCT INFORMATION

Bathrooms

Astoria Deco Basin Stand

Installation Guide Introduction

Thank you for purchasing this product. These instructions relate to the following products.



Astoria Deco Stand



Astoria Deco Hardwick Stand

⚠ Before you start: Check you have the necessary tools for the installation. It is advisable to prepare a clear area to assemble the products. Lay a soft blanket or sheet to protect the metal finish from scratches.

Tools Required



Hand Held Drill



Safety Goggles



Spirit Level

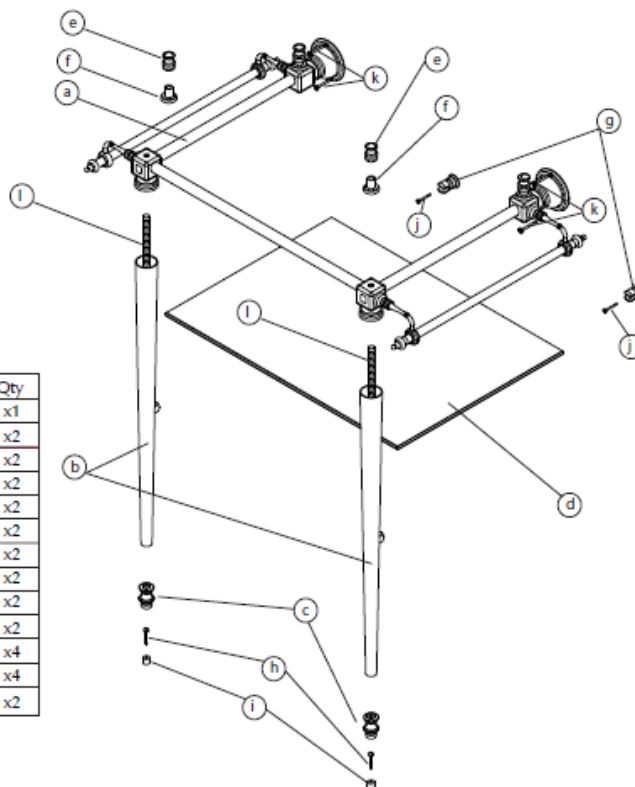


Tape Measure



Pencil

Assembly Instructions



Ref	Part	Qty
a	Assembled Top Frame	x1
b	Leg Tube	x2
c	Foot	x2
d	Class Shelf	x2
e	Adjustor Cap	x2
f	Adjustor Base	x2
g	Shelf Studs	x2
h	Floor Screws	x2
i	Floor Peg	x2
j	Stud Screws	x2
k	Wall Screws	x4
N/a	Rawl Plugs	x4
l	Threaded Rod	x2

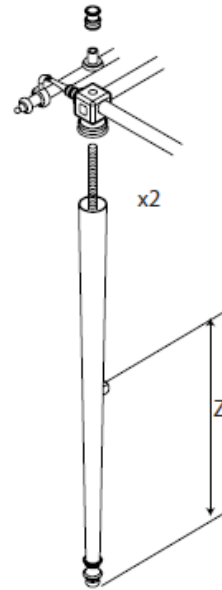
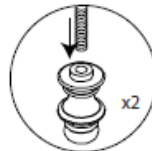
PRODUCT INFORMATION

Bathrooms

Astoria Deco Basin Stand



- 1: Assemble legs onto stand as shown in diagram right.
- 2: Rough in water and drain lines.
- 3: If the installation wall is not of solid material install a wall brace of minimum 2x6" and of equal length as the fixings and finish the wall accordingly.
- 4: Offer the assembled stand to the wall, ensuring that the legs are square to the wall and floor.
- 5: Mark the wall where the screw holes will need to be drilled. Mark the floor around the foot of the unit.
- 6: Measure the distance marked Z on the diagram and add 3/16" to determine the correct height for the Shelf studs to be affixed to the wall. The spacing of the two Studs should be the width of the shelf -2". It is suggested that each stud should be inset from the edge of the glass by 1". Mark the wall according to this guideline.



CAUTION: Before carrying out the following steps ensure there is no hidden pipework or cables in the area that you intend to drill. Always ensure that you take the necessary safety precautions.

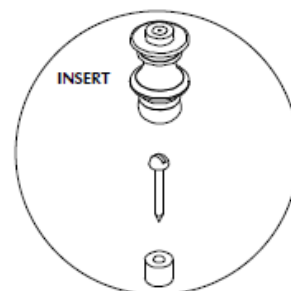
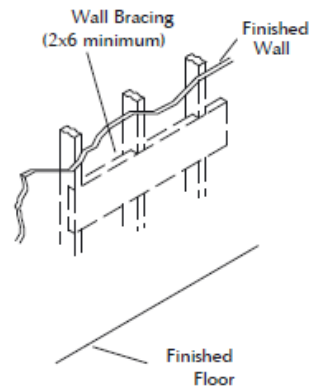
NOTE: It may be wise at this stage to double check that the holes and markings for fixing are correct. Ensure that the stand will stand square and true to the wall and floor. Fixings supplied are intended for solid wall installations. If necessary substitute suitable fittings accordingly.

- 7: Remove the stand from the wall and drill appropriate sized holes for the insertion of screw plugs. Insert plugs into wall.
- 8: If necessary drill pilot holes into the floor where the location of the floor pegs will be.
- 9: Position the floor pegs carefully and screw them into position.

CAUTION: Affixing the floor pegs is a critical measure in ensuring the safe and proper installation of this product. This is a safety measure and must be carried out in order to maintain the structural integrity of the stand.

10: Locate the stand onto the floor pegs and align the holes in the fixing rose with the plugs in the wall. Using the screws fix the stand into position.

11: Carefully lower the basin into location and check that the product sits level. Fine adjustments can be made by rotating the Adjustor Caps. Once you are fully happy with the fit of the basin on the stand run a bead of silicon along the back face of the basin and ensure contact with the wall is made. At this stage please complete the necessary plumbing in of faucets and waste fittings.



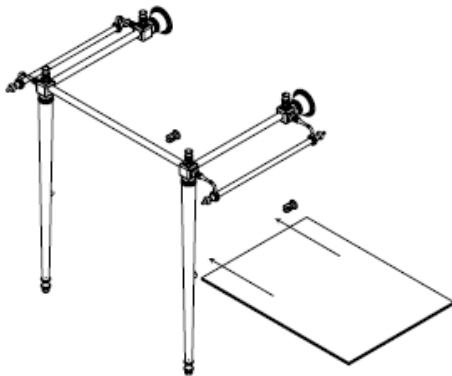
PRODUCT INFORMATION

Bathrooms

Astoria Deco Basin Stand

Harrington

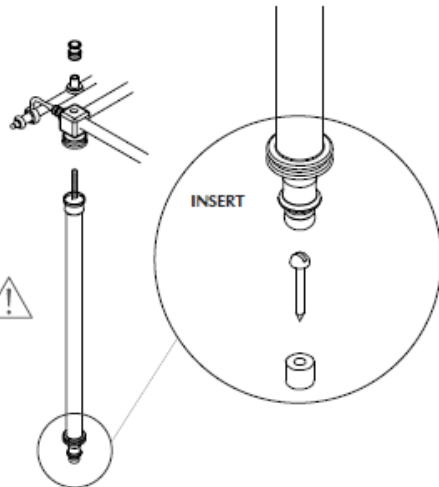
12: Carefully slide the glass shelf into position and secure by tightening the grub screw in the underside of the shelf studs



Assembly Instructions Hardwick stands

When installing the Hardwick version of the basin stand it is important to handle the glass with care. You will be required to discard the glass shelf that will be contained within the top frame packaging.

CAUTION: Affixing the floor pegs is a critical measure in ensuring the safe and proper installation of this product. This is a safety measure and must be carried out in order to maintain the structural integrity of the stand.



Care and Cleaning

Basin stands are produced by hand and slight imperfections on the surface detail are normal due to the material and the manufacturing process.

Plated finishes should be cleaned with warm soapy water and dried with a soft cloth. Under no circumstances should bleach or abrasive cleaning products, polishes, or detergent be used on plated surfaces and in particular should these materials be used on plated items it is possible that the surface will be damaged.

PRODUCT INFORMATION

Bathrooms

<u>Astoria Deco Basin Stand</u>

Warehouse Description

Packaging

Gross Weight: 15.18 Kg (33.45 lbs)

No of boxes per product code: 1

Dimensions of outers: 38.6" x 24.8" x 14.2"

How many inners per outer: 2

Dimensions of inner: 37.9" x 24" x 8.26" and 34.65" x 8.66" x 5.5"

Agreed packaging standard: 0.2" Double corrugated cardboard, white.

Label specification:

Label tbc